

## RR75 SERIES



Photo: RR759

The RR75 series robot is a SCARA robot and all axes have stepping motors with encoders. The type of ABS encoder specification accesses two ports without X-axis track by the synchronous interpolating operation of the arm axis and rotation axis. The type of the double-arm specification exchanges wafers in the shortest period of time to improve the transferring throughput. The robot X-axis track can be added outside to perform the simultaneous control from the robot side including the teaching positions.

### Features

- Stepping servo motors are mounted on all axes.
- Two-port access without X-axis track is possible. (ABS encoder specifications)
- Heavier object can be handled by increasing the arm rigidity. (RR756, RR757, and RR759)
- High throughput by double-arm (RR759) specification
- The robot X-axis track can be controlled.
- All directions can be accessed without a rotation dead angle.

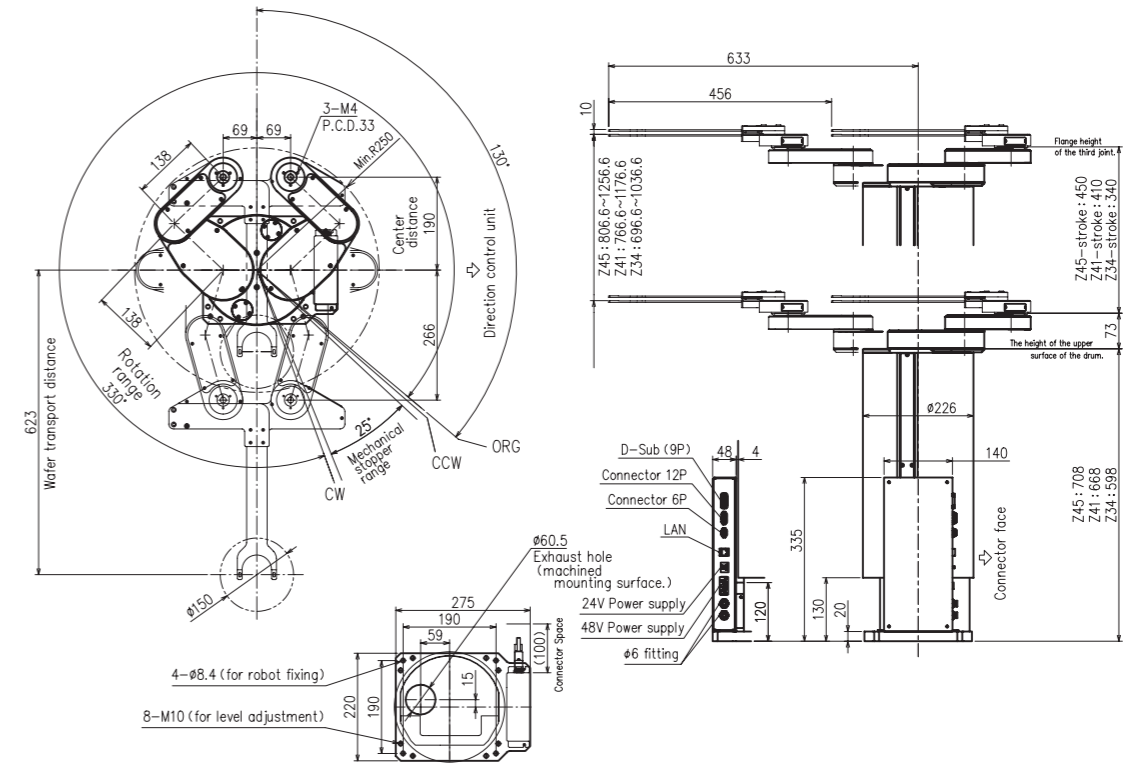
### Main specifications

	Number of arms	Arm length [mm]	Z-axis stroke [mm]	Rotation radius Note 1 [mm]	Transferring distance Note 2 [mm]	Rot. range [°]	Transferring accuracy [mm]	ISO-CLASS	Encoder specification Note 3
RR751L13	Double	138	340/410	R250 to R317.5	550 to 695	330	±0.1	1	INC
RR751L15	Double	156	340/410	R282.5 to R335	659 to 766	330	±0.1	1	INC
RR756L15	Single	156	340/350/410/420/450 Note 4	R245 to R282.5	588 to 728	330	±0.1	1	ABS
RR757L15	Double	156	340/350/410/420/430 Note 4	R282.5 to R335	659 to 766	330	±0.1	1	ABS
RR759L22	Double	220	190/420/550	R270	762	420	±0.1	1	ABS
RR759L27	Double	270	190/420/550	R320	962	420	±0.1	1	ABS

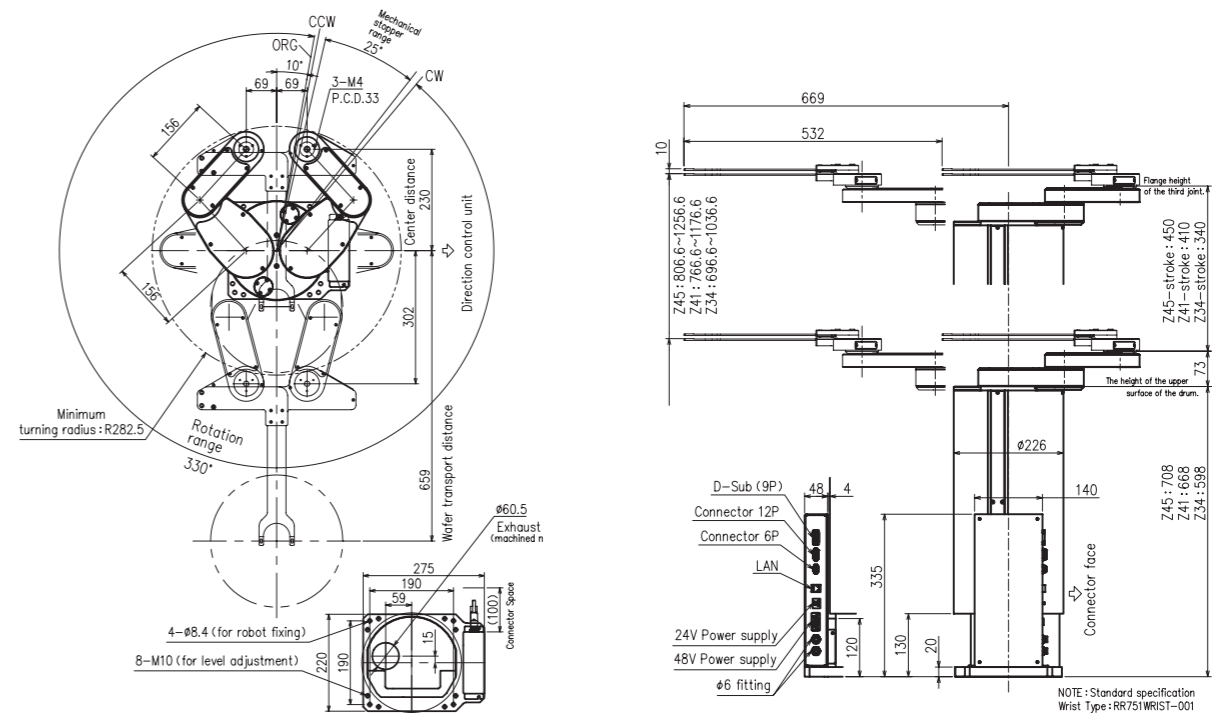
Note 1: Differs according to the wrist section and finger length.  
 Note 2: For 300 mm wafers  
 Note 3: INC: Incremental (relative quantity),  
 ABS: Absolute (absolute quantity)  
 Note 4: 350 mm and 420 mm include -10 mm.

### Outside dimensions

#### RR751L13

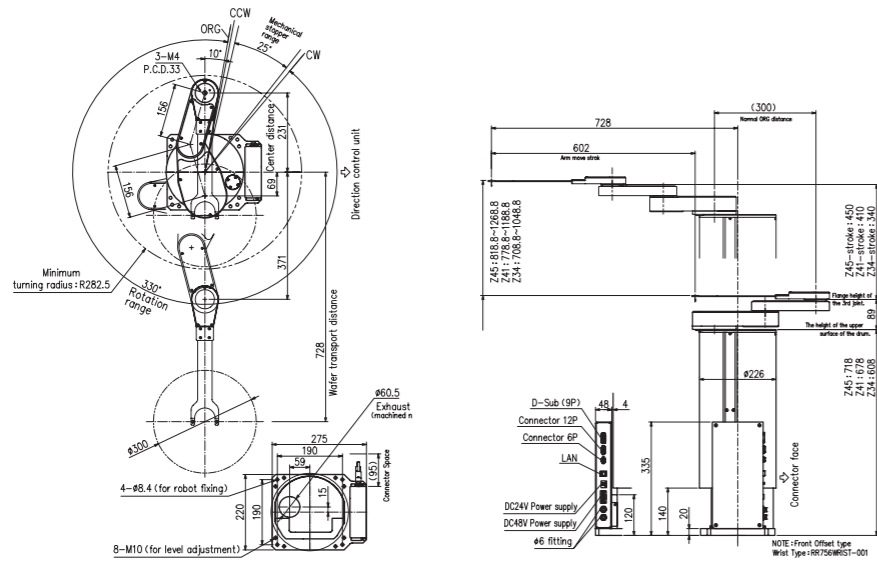


#### RR751L15

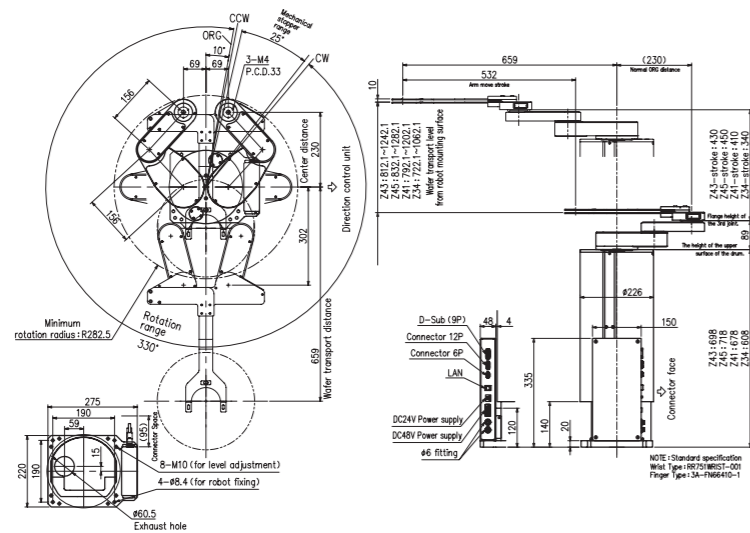


NOTE: Standard specification  
 Wrist Type: RR751WRIST-001

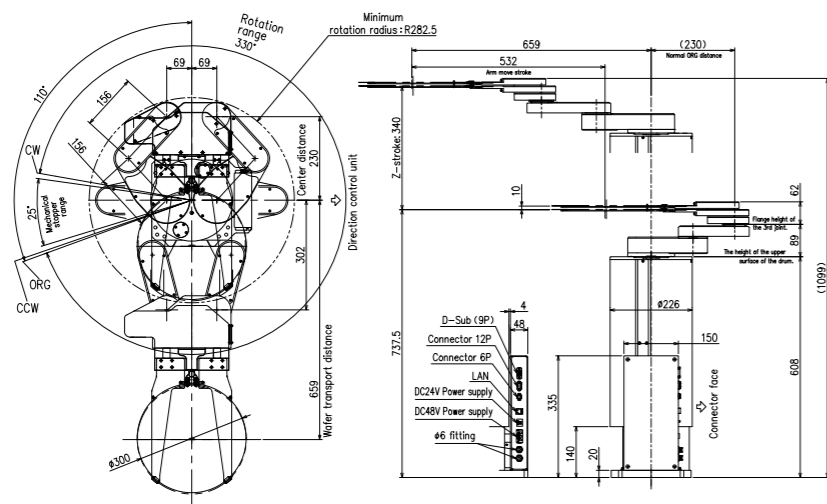
■ RR756L15



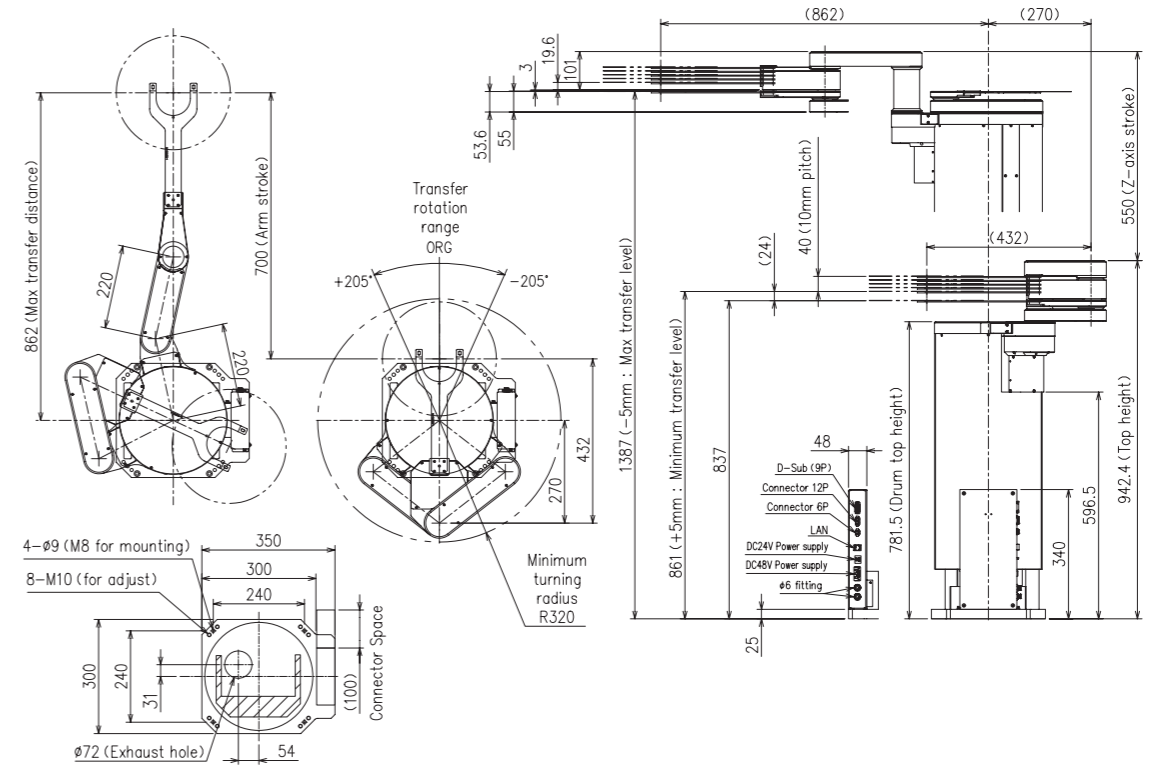
■ RR757L15



■ RR757L15 (edge-hold gripper)



■ RR759L22



■ RR759L27

