

# Bare Wafer Stocker

## BWS600

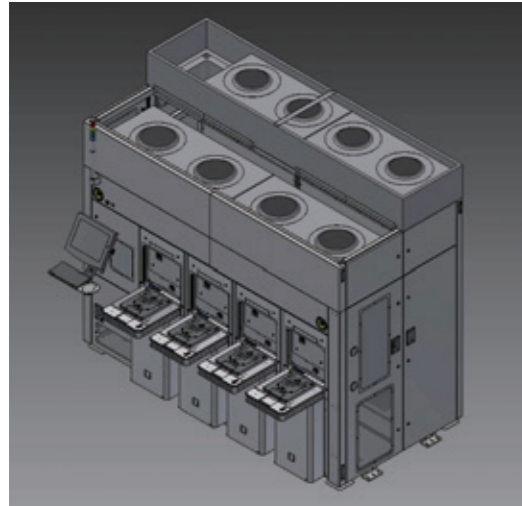


Image: BWS600

The bare wafer stocker (BWS600) is the hybrid system that has both stocker function and sorting function (for sorting normal production wafers) by providing the wafer storage area at wafer sorter.

Sorting and storing wafers with saving space are available.

### Features

- Up to 600 bare wafers can be contained and the divided area control is possible.
- The high speed unit configuration sorts wafers with a suitable transferring pattern.
- The internal shutter mechanism isolates the minienvironment stocker section from sorter section.
- The automatic teaching reduces the teaching time interval.
- IDs on both front surface and back surfaces of a wafer can be read.

### Main specifications

Type	RSC172
Number of ports	4 ports
Transferring object	300 mm wafer: $\Phi 300 \pm 0.2$ mm, Thickness: $775 \mu\text{m}$
Carrier	25-slot 300 mm FOUP (SEMI E47.1) 25-slot 300 mm FOSB (SEMI M31)
Remarks	Consult our inquiry office for the items other than above-mentioned items.
Power voltage	Three-phase 208V AC $\pm 10\%$ , 50/60Hz $\pm 5\%$
Current consumption	14kVA (40A/200V AC) including FFU
Vacuum (source pressure)	-80 kPa to -90 kPa
Vacuum (flow rate)	50 L/min
Positive pressure (source pressure)	0.6 MPa to 0.7 MPa
Positive pressure (flow rate)	50 L/min

### Option

- Edge clamp
- FOUP for the stocker-mounted type
- N2/XCDA purge
- Bar code reader and RF-ID reader
- Ionizer
- E84
- Chemical filter

### Outline dimensions

#### ■ BWS600

