

Active Load Port (ALP)



ALP is placed next to 300 mm load ports, can receive FOUPs from OHTs and pass them to load ports.

Features

- Makes FOUP buffer in equipment, which shortens waiting time for OHT and improves working rate.
- Can be installed next to load ports in existing equipment and no need to change OHT lines in your factory.

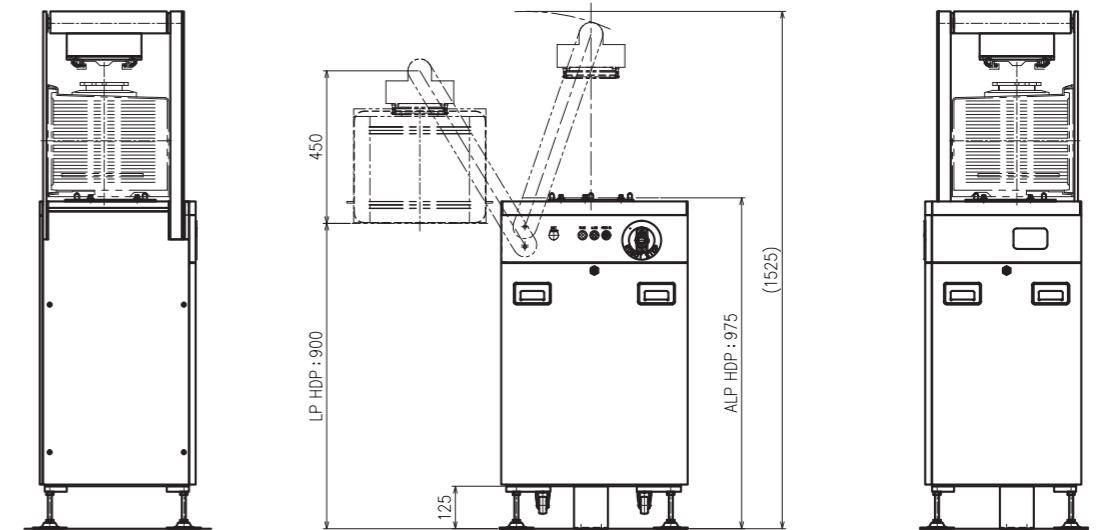
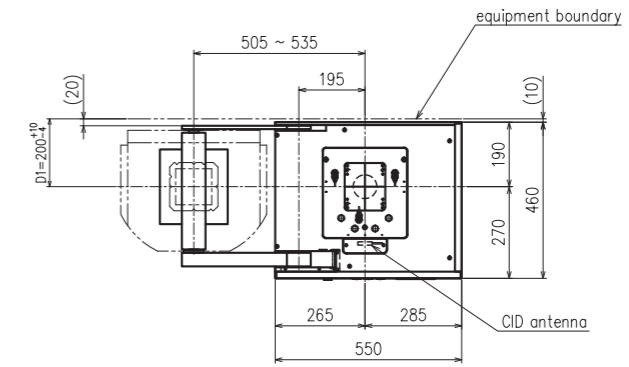
Major specification

Power	100 V AC±10% 5 A
Compressed air	0.6 MPa to 0.7 MPa 10 L/min

Option

- Infopad detection sensor / Locked out pin
- RF-ID / Barcode reader

Outline dimensions



Atmospheric Robot

Vacuum Robot

Load Port

Aligner

EFEM

Sorter

Stocker

Recede Handling System

Vacuum Platform

Life science relevant products

Software Solution

Active Load Port

Support Network